



Features & Options

- 8 Year Battery Life (with two 3.6 volt lithium batteries, full AA size)
- Optional Setpoint and Occupant Override
- 100 Foot In-Building Range, Extendable to 1,000 Feet with Repeater*
- Transmitted signals can be converted to Voltage, Current or Resistive Outputs for the Controller

The BAPI Wireless Transmitter measures the room temperature and transmits the data through 418MHz RF to a receiver. The transmitter is mounted in a BAPI-Stat 2 style enclosure and has an in-building range of 100 feet*. It is available with optional Setpoint and Override.

The unit has an estimated battery life of 8 years using two high-capacity 3.6V lithium batteries with a transmit rate of about once every 20 seconds. Each transmitter has a unique address with built in error detection. Each variable sent by the transmitter is picked up by the receiver and converted by a BAPI Analog Output Module to a voltage, current or resistance signal which is sent to the controller.

PART NUMBER: BA/BS2-WT - Wireless Temperature Transmitter

PART NUMBER: BA/BS2-WT-O - Wireless Temperature Transmitter with Occupant Override

PART NUMBER: BA/BS2-WT-S - Wireless Temperature Transmitter with Setpoint Adjustment

PART NUMBER: BA/BS2-WT-SO - Wireless Temperature Transmitter with Setpoint & Override

PART NUMBER: BA/LI3620 - Lithium Battery 3.6V

See end of Section F for list pricing.



Transmitter with optional Setpoint & Override

Associated Products

• 418 MHz Receiver

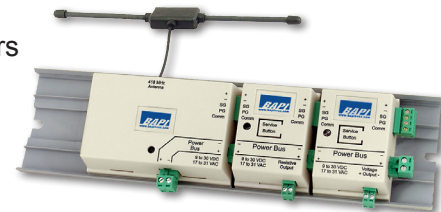
Receives the RF signal from one or more transmitters or repeaters and outputs the values to up to 127 Analog Output Modules.

• Analog Output Modules:

Converts the signal from the Receiver into a Resistance, Voltage or Current for sending to the controller.

• Repeater

Extends the range of the Transmitter up to 1,000 feet.



Receiver with two Analog Output Modules

Specifications

Supply Power: Two 3.6V Lithium batteries, 8 year battery life at 20 second transmit rate

Inputs: Built in thermistor

Accuracy: $\pm 0.36^{\circ}\text{F}$ ($\pm 0.2^{\circ}\text{C}$)

Transmitted Range: -40 to 185°F (-40 to 85°C)

Environmental Operation Range:

Temp: 32 to 140°F (0 to 60°C)

Humidity: 5% to 95% RH non-condensing

Material: ABS Plastic

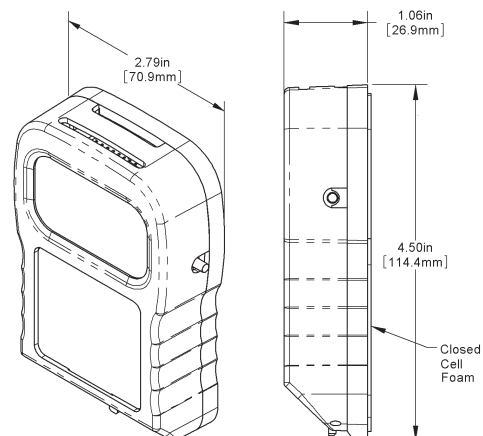
Material Rating: UL94 V-0

Radio Frequency: 418 MHz

Transmitter Interval: ~ 20 seconds

Antenna: Built inside the enclosure

FCC Approval: FCC ID# T4F061213RSO



*Actual in-building transmission distances will vary depending upon building construction and other factors.

