

Rev. 10/16/12

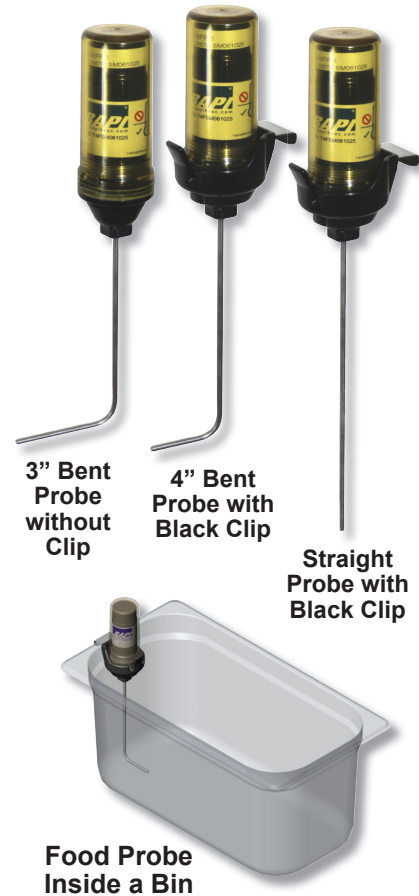
## Features & Options

- 100 Foot Open Air Transmission Range
- Integrates with all BAPI Receivers & Output Modules
- 4 Year Battery Life
- Waterproof Construction for Food Service Use
- NSF Certified with Food and Dishwasher Safe Materials
- Fits Most Food Bins
- Many Additional Applications Besides Food

BAPI's Wireless Food Temperature Probes remain in the food trays to measure and transmit the temperature every 30 seconds to a receiver up to 100 feet away. The receiver transforms the data into common outputs (0 to 10V, 0 to 5V, 4 to 20mA or thermistor) for input into any BAS or data acquisition system or the BAPI WAM internet monitoring service.

The food probes eliminate the need for an employee to hand record the temperatures with a thermometer for HACCP compliance. Bin clips are available to fit most stainless steel or plastic food bins. The probe is designed for dishwasher or hand washing.

Because the probes are designed for wet, dusty or dirty environments, there are many additional applications including Cooling Towers, Evaporative Coolers, Steam Humidifiers, Dusty or Wet Conveyor Systems, Aggregate Washers and Vaulted Ceiling Suspension.



## Specifications

**Supply Power:** One 3.6 VDC Lithium  
**Battery life:** 4 years @ 30 second intervals  
**Battery Included:** BA/BAT-5AA-HIT, 1/2 AA  
**Sensor:** Tip Sensitive Thermistor Probe  
**Measurement Range:** -15° to 110°C (5° to 230°F)  
**Accuracy:** ±0.55°C (±1°F), from 0° to 100°C  
**Environmental Operating Range:**  
**SS Probe:** -40° to 110°C (-40° to 230°F)  
**Washing Spike Temp:** 100°C (212°F) for 8 hours  
**Humidity:** 0 to 100% RH Condensing

**Case Material:** Food Safe Plastic

**Probe Material:**

304 Stainless Steel, 1/8" Diameter

**Food Bin Bracket:** Four Styles

**SS Bin:** Tip within 3/8" of bottom

**Plastic Bin:** Tip within 3/8" of bottom

**Food Probe Insertion:**

2" Minimum into Food, Tip Sensitive

**Radio Frequency:** 418 MHz @ 1mW

**Transmitter Interval:** ~30 seconds

**Antenna:** Spiral type built into case

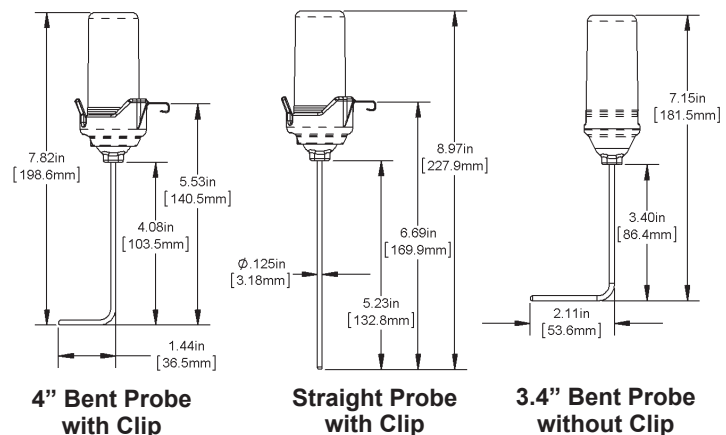
**Transmission Range:** Up to 100 feet open air  
Up to 1,000 feet open air with a repeater

**Cleaning:** Dishwasher Safe (see Spike Temperature)

**Agency:** RoHs & NSF Certified

**FCC Approval:** FCC ID# T4FSM061025  
FCC Rules Part 15, Subpart B

**Industry Canada:** IC:9067A - SM061025



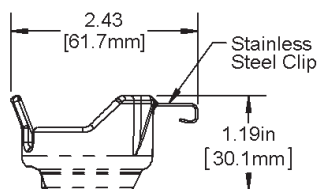
## Food Probe Ordering Information

Part Number	Description
ALC/WFP-B3	Bent Stainless Steel Probe, 3.4" Insertion with 2.11" Bend
ALC/WFP-B4	Bent Stainless Steel Probe 4.1" insertion with 1.4" bend
ALC/WFP-S5	Straight Stainless Steel probe 5" insertion

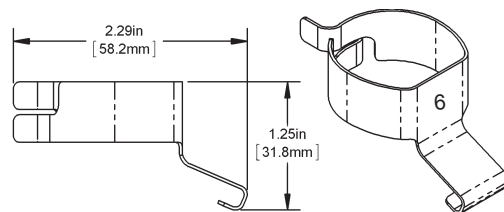
Note: Each Probe includes two round blank Disk Labels.

## Accessories Ordering Information

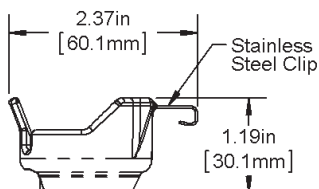
Part Number	Description
ALC/FP-CLP4	Fixed Depth Clip for Stainless Steel Square Food Bins (Black Plastic) (Use with B4 or B3 probes for 6" deep bins or S5 probe for 7" deep bins.)
ALC/FP-CLP5	Fixed Depth Clip for Plastic Square Food Bins (Amber Plastic) (Use with B4 or B3 probes for 6" deep bins.)
ALC/FP-CLP6	Adjustable Depth Clip for Plastic Square Bins ("6" stamp on flat) (Use with B4 or B3 probes for 6" deep bins.)
ALC/FP-CLP7	Adjustable Clip for SS Square Bins ("7" stamp on flat) (Use with B4 or B3 probes for 6" deep bins or S5 probe for 7" deep bins.)
ALC/FP-CLIP-KIT	Clip Kit (includes 1 each of BA/FP-CLP4, BA/FP-CLP5, BA/FP-CLP6, BA/FP-CLP7)
ALC/BAT-5AA-HIT	Replacement Battery, 3.6V, 1/2-AA, High Temperature
ALC/FP-O-RING-5	Food Probe O-Ring (5 per package)
ALC/UL140	Food Probe Label Sheet, 70 Round Labels (40 numbered 1 to 40 and 30 blanks)
ALC/UL-BLANK	Food Probe Label Sheet, 70 Round Blank Labels
ALC/FP-LID-16-S	Stainless Food Bin Lid, 6 x 7", 1/6 Square w/ Ladle and Food Probe Cutout
ALC/FP-LID-13-S	Stainless Food Bin Lid, 12 x 7", 1/3 Square w/ Ladle and Food Probe Cutout
ALC/FP-LID-12-S	Stainless Food Bin Lid, 12.75 x 10.4", 1/2 Square w/ Ladle and Food Probe Cutout
ALC/FP-HLID-7Q-R	Stainless Food Bin Hinged Lid, 9" 7-QT Round w/ Ladle and Food Probe Cutout
ALC/FP-DP-5	Desiccant Pack (5 per package)
ALC/FP-CRT1	Food Probe Plastic Cap Removal Tool



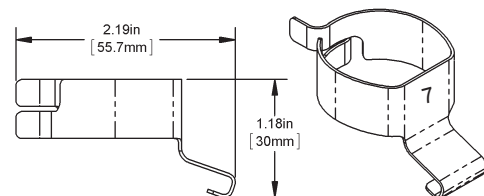
**Fixed Depth Clip for Most Plastic Square Bins (Amber Plastic)**



**Adjustable Depth Bin Clip for Most Plastic Square Bins ("6" stamp on flat)**



**Fixed Depth Clip for Most Stainless Steel Square Bins (Black Plastic)**



**Adjustable Depth Bin Clip for Most SS Square Bins ("7" stamp on flat)**