

Rev. 07/16/10

### Features & Options

- 8 Year Battery Life (with two 3.6 volt lithium batteries, full AA size)
- Optional Setpoint and Occupant Override
- 100 foot range, extendable to 1,000 feet with Repeater\*
- Transmitted signals can be converted to Voltage, Current or Resistive Outputs for the Controller

The Wireless Transmitter measures the room temperature and transmits the data through 418MHz RF to a receiver. The transmitter is mounted in a BAPI-Stat 2 style enclosure and has a minimum in-building range of 100 feet. It is available with optional Setpoint and Override.

The unit has an estimated battery life of 8 years using two high-capacity 3.6V lithium batteries with a transmit rate of about once every 10 seconds. Each transmitter has a unique address with built in error detection. Each variable sent by the transmitter is picked up by the receiver and converted by an Analog Output Module to a voltage, current or resistance signal which is sent to the controller.



Transmitter with  
optional Setpoint &  
Override

### ORDERING INFORMATION

**ALC/BS2-WT** ..... Wireless Temperature Transmitter  
**ALC/BS2-WT-O**..... Wireless Temperature Transmitter with Occupant Override  
**ALC/BS2-WT-S** ..... Wireless Temperature Transmitter with Setpoint Adjustment  
**ALC/BS2-WT-SO** .. Wireless Temperature Transmitter with Setpoint & Override  
**ALC/LI3620** ..... Lithium Battery 3.6V

### Associated Products

- **418 or 900 MHz Receivers** — Receives the RF signal from one or more transmitters or repeaters and outputs the values to up to 127 Analog Output Modules.
- **Wireless Point Manager** – Receives the RF signal from up to 100 wireless transmitters and converts the data to ethernet (TCP/IP) or serial protocol for the network.
- **Repeater** – Extends the range of the Transmitter up to 1,000 feet.

Wireless  
Point  
Manager



### Specifications for the Wireless Temperature Transmitters

**Supply Power:** Two 3.6V Lithium batteries, 8 year battery life at 10 second transmit rate

**Inputs:** Built in thermistor

**Accuracy:**  $\pm 0.36^{\circ}\text{F}$  ( $\pm 0.2^{\circ}\text{C}$ )

**Transmitted Range:**  $-40^{\circ}\text{F}$  to  $185^{\circ}\text{F}$  ( $-40^{\circ}\text{C}$  to  $85^{\circ}\text{C}$ )

**Environmental Operation Range:**

Temp:  $32^{\circ}\text{F}$  to  $140^{\circ}\text{F}$  ( $0^{\circ}\text{C}$  to  $60^{\circ}\text{C}$ )

Humidity: 5% to 95% RH non-condensing

**Material:** ABS Plastic

**Material Rating:** UL94 V-0

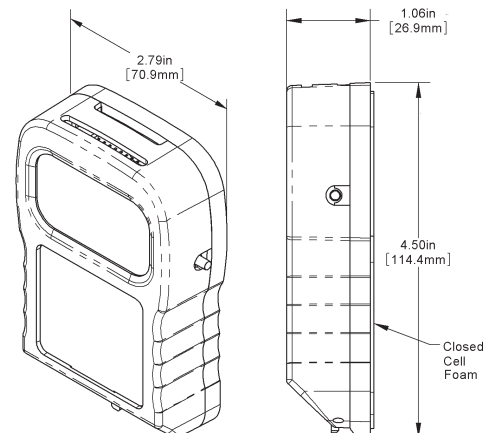
**Radio Frequency:** 418 MHz

**Transmitter Interval:** ~10 seconds

**Antenna:** Built inside the enclosure

**FCC Approval:** FCC ID# T4F061213RSO

BAPI-Stat 2  
Enclosure



\*Actual in-building transmission distances will vary depending upon building construction and other factors.



Manufactured by Building Automation Products, Inc., 750 N. Royal Ave., Gays Mills, WI 54631 USA  
 Ph:+1-608-735-4800 • Fax:+1-608-735-4804 • E-mail:sales@bapivac.com • Web:www.bapivac.com

Automated Logic and the Automated Logic logo are registered trademarks of Automated Logic Corporation