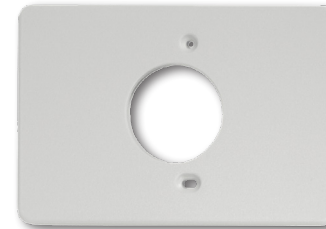




Features & Options

BAPI Adaptor Plates are designed to cover wall imperfections when installing wall sensors or thermostats. They come in three sizes and three colors and can be painted or wall papered in place if desired.



Ordering Information

- BA/ADP-525-7-BW Adaptor Plate, 5.25 x 7" Bright White
- BA/ADP-525-7-OFW Adaptor Plate, 5.25 x 7" Off White
- BA/ADP-525-7-CDW Adaptor Plate, 5.25 x 7" Cloud White
- BA/ADP-53-53-BW Adaptor Plate, 5.3 x 5.3" Bright White
- BA/ADP-53-53-OFW Adaptor Plate, 5.3 x 5.3" Off White
- BA/ADP-53-53-CDW Adaptor Plate, 5.3 x 5.3" Cloud White
- BA/ADP-37-55-BW Adaptor Plate, 3.75 x 5.5" Bright White
- BA/ADP-37-55-OFW Adaptor Plate, 3.75 x 5.5" Off White
- BA/ADP-37-55-CDW Adaptor Plate, 3.75 x 5.5" Cloud White
- BA/ADP-37-55-BW-UK Adaptor Plate (Europe), 3.75 x 5.5" Bright White
- BA/ADP-37-55-OFW-UK Adaptor Plate (Europe), 3.75 x 5.5" Off White

Specifications

Material:

ABS plastic, Flame-retardant, UL 94, V-0

Application:

Horizontal or Vertical

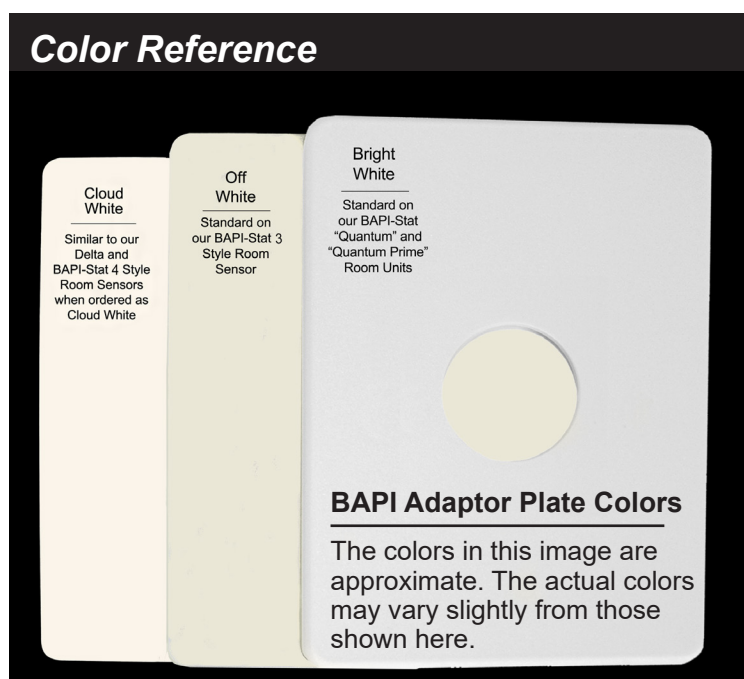
Mounting:

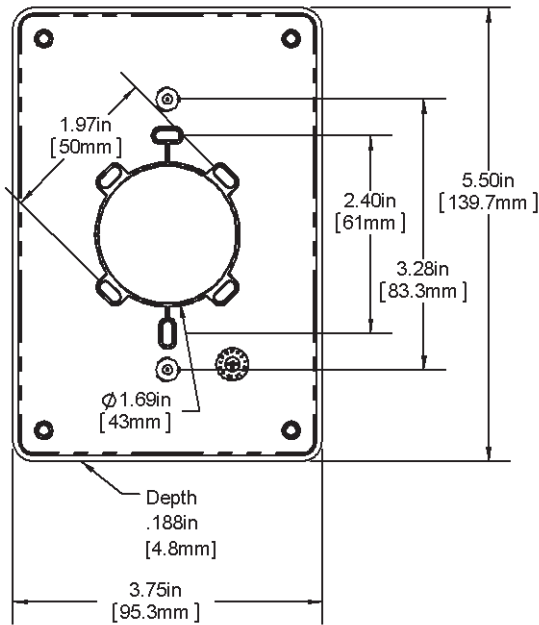
Drywall, US back box or European back box

Color Match

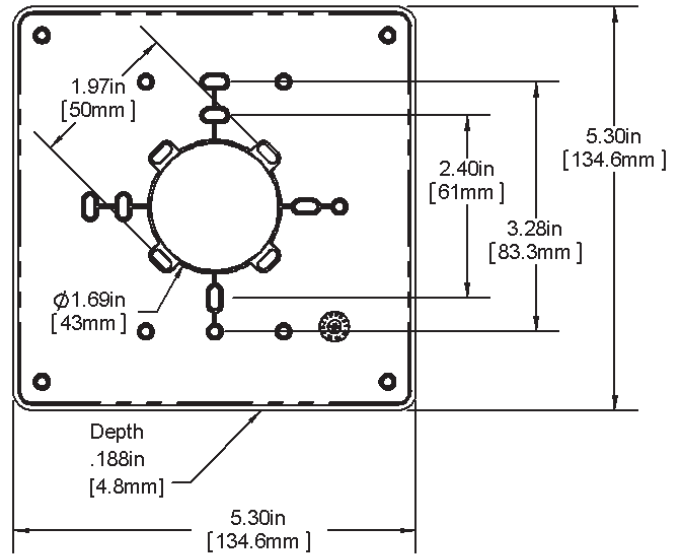
- BW, Bright White:
BAPI-Stat "Quantum" and "Quantum Prime" Room Units (Approx. Pantone Bright White) also Delta and BAPI-Stat 4 Units purchased after 2020
- OFW, Off White:
BAPI-Stat 3 (Approximately Pantone Warm Gray 1)
- CDW, Cloud White:
Delta, BAPI-Stat 4 (Approximately Pantone Cool Gray 1)

Color Reference

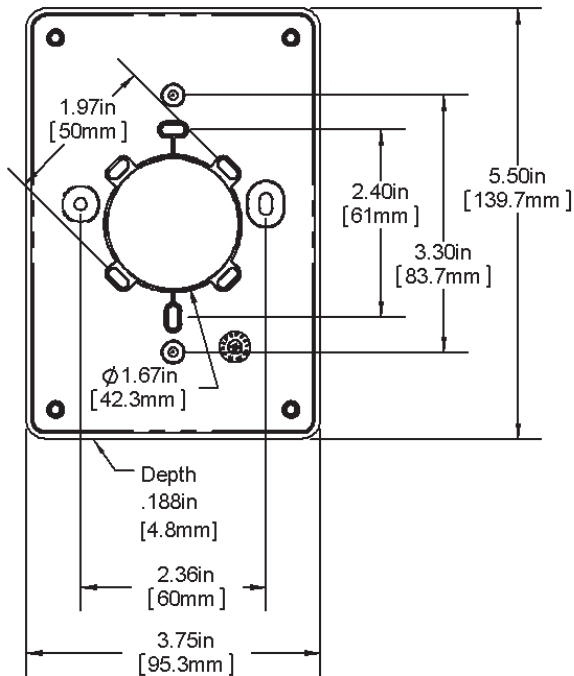




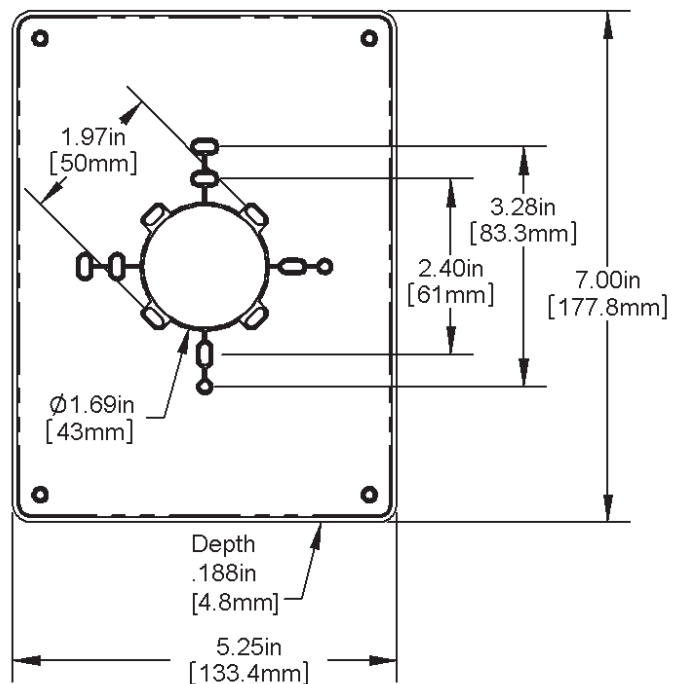
BA/ADP-37-55-BW



BA/ADP-53-53-BW



BA/ADP-37-55-BW-UK



BA/ADP-525-7-BW

