



Features & Options

- New BAPI-Stat “Quantum Slim” Enclosure Style
- White or Black Color Option
- Wide Selection of Temperature Sensing Elements
- Limited Lifetime Warranty

The BAPI-Stat “Quantum Slim” Temperature Room Sensor is designed for applications where a temperature output is required with a sleek, low profile room enclosure.

The unit is available with thermistor and RTD elements. Ideal for locations where aesthetics are as important as the temperature measurement.



**BAPI-Stat
“Quantum Slim”
Sensors**

Specifications

Wiring:

One pair of 16 to 22 AWG wires

Mounting:

Surface or drywall mount (screws provided)

Sensing Element:

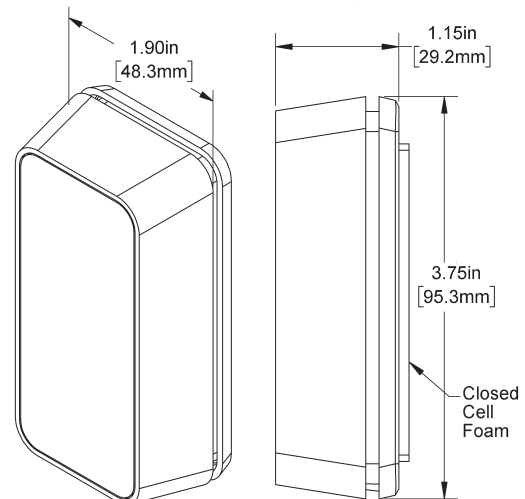
Thermistor or RTD (See Sensors Sect. for Specs.)

Environmental Operation Range:

Temperature: 32 to 122 °F (0 to 50 °C)

Humidity: 0 to 95%, non-condensing

Agency: RoHS, CE





BAPI-Stat “Quantum Slim” Sensor

B9

Temperature Sensors

Ordering Information

<u>Part Number</u>	<u>Description</u>	<u>List Price</u>
BA/QS-W-A.....	White BAPI-Stat “Quantum Slim” with 1K Platinum RTD (385 curve).....	\$32
BA/QS-W-B	White BAPI-Stat “Quantum Slim” with 10K-2 Thermistor	\$25
BA/QS-W-C	White BAPI-Stat “Quantum Slim” with 10K-3 Thermistor	\$25
BA/QS-W-D	White BAPI-Stat “Quantum Slim” with 10K-3[11K] Thermistor.....	\$25
BA/QS-W-E	White BAPI-Stat “Quantum Slim” with 20K Thermistor	\$25
BA/QS-W-F.....	White BAPI-Stat “Quantum Slim” with 1.8K Thermistor	\$25
BA/QS-W-G	White BAPI-Stat “Quantum Slim” with 1K Ω Nickel RTD	\$72
BA/QS-W-H	White BAPI-Stat “Quantum Slim” with 3K Thermistor	\$25
BA/QS-W-V	White BAPI-Stat “Quantum Slim” with 10K-4 Thermistor	\$25
BA/QS-B-A.....	Black BAPI-Stat “Quantum Slim” with 1K Platinum RTD (385 curve).....	\$37
BA/QS-B-B	Black BAPI-Stat “Quantum Slim” with 10K-2 Thermistor	\$30
BA/QS-B-C	Black BAPI-Stat “Quantum Slim” with 10K-3 Thermistor	\$30
BA/QS-B-D	Black BAPI-Stat “Quantum Slim” with 10K-3[11K] Thermistor	\$30
BA/QS-B-E	Black BAPI-Stat “Quantum Slim” with 20K Thermistor	\$30
BA/QS-B-F.....	Black BAPI-Stat “Quantum Slim” with 1.8K Thermistor	\$30
BA/QS-B-G	Black BAPI-Stat “Quantum Slim” with 1K Ω Nickel RTD.....	\$77
BA/QS-B-H	Black BAPI-Stat “Quantum Slim” with 3K Thermistor	\$30
BA/QS-B-V	Black BAPI-Stat “Quantum Slim” with 10K-4 Thermistor	\$30

