

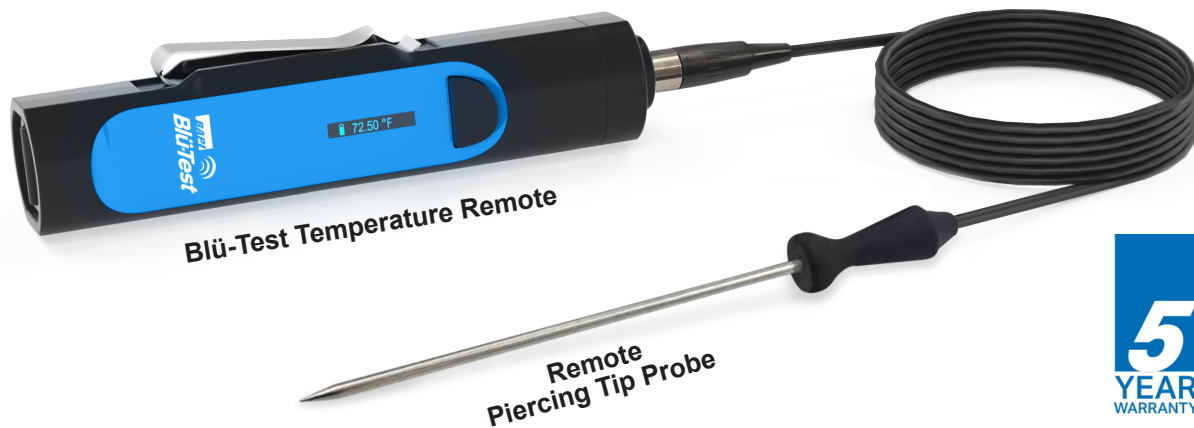


Features & Options

- Piercing tip probe
- NSF certified, perfect for food safety and HACCP applications
- Data logging and Bluetooth communication with Android or iOS smart devices
- User-friendly app with trending and other features
- Local OLED display for immediate readings
- Logs are easily emailed for use in commissioning, troubleshooting or comparing against the BAS
- Each probe body stores up to a million readings
- NIST-traceable calibration certificate included



Blü-Test App Screens



Blü-Test Temperature Remote

Remote Piercing Tip Probe



Blü-Test Base and Probe Specifications

Power: 3.7V, 2,600 mAh Rechargeable Battery

Charging:

Standard USB Charger, 1.5A or greater, Micro-USB cable included

Operating Range:

Probe Body: -22 to 158°F (-30 to 70°C)

Piercing Probe: -40 to 450°F (-40 to 232°C)

Testing Medium: 32 to 450°F (0 to 232°C)

Entire Measurement Range: -40 to 1112°F (-40 to 600°C)

Calibrated System Accuracy*:

±0.45°F @ -13 to 257°F (±0.25°C @ -25 to 125°C)*

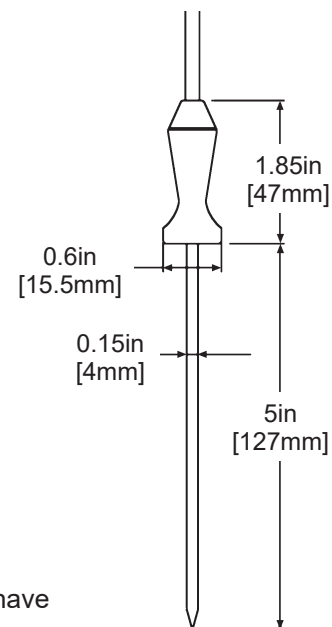
±0.90°F @ -103 to 347°F (±0.5°C @ -75 to 175°C)*

Communication: Bluetooth LE, Class 2 v4.2

Data Logging: 10 second intervals

Agency: CE EN 61326-1:2013 EMC, RoHS, NSF

FCC ID: Contains FCC ID 2AA9B04



*Calibrated accuracy only applies to piercing probe and remote body that have matching serial number labels.





Submittal sheets without List Prices are available on our website at www.bapihvac.com



Ordering Information

<u>Part Number</u>	<u>Description</u>	<u>List Price</u>
BA/BTR-TPR.....	Blü-Test Temperature Remote and Remote Piercing Tip Probe.....	\$800
BA/BT-HVAC-CASE	Carrying case for Blü-Test probes, holds up to six probes	\$125
BA/BT-A-REFURB	Refurbishment of Blü-Test Temperature Remote	\$50 Net (Refurbishment includes replacement of battery and probe.)

Gray shaded items follow the Buy and Resale Multiplier.

Blü-Test Bundle

A complete set of all six Blü-Test units and a handy carrying case is available as a bundle. The bundle includes:

- Blü-Test Temperature, 4" length piercing, 1/8" dia. (100 x 3.2mm)
- Blü-Test Temperature, 6" length, 1/4" diameter (150 x 6.4mm)
- Blü-Test Temperature, 9.5" length, 1/4" diameter (240 x 6.4mm)
- Blü-Test Temp/Humidity, 8" length, 3/8" diameter (200 x 9.5mm)
- Blü-Test Differential Pressure, Low Range, -1 to +1" WC (-250 to +250 Pa)
- Blü-Test Differential Pressure, Standard Range, -5 to +5" WC (-1,250 to +1,250 Pa)

See the Blü-Test Suite datasheet for more information.



Blü-Test App Features

- Free App
- Android OS 5.1 or Apple iOS 10 or higher required
- View live data from multiple probes
- Review and email log files



The Blü-Test App is available for download at Google Play and the App Store.



Google Play and the Google Play logo are trademarks of Google LLC. Apple and the Apple logo are trademarks of Apple Inc., registered in the U.S. and other countries and regions. App Store is a service mark of Apple Inc.

NIST is the National Institute of Standards and Technology



Building Automation Products, Inc. • 750 North Royal Avenue, Gays Mills, WI 54631 USA
Tel: +1-608-735-4800 • Fax: +1-608-735-4804 • Email: sales@bapihvac.com • Web: www.bapihvac.com