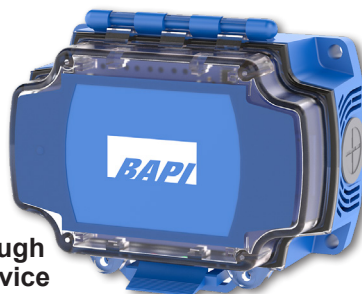




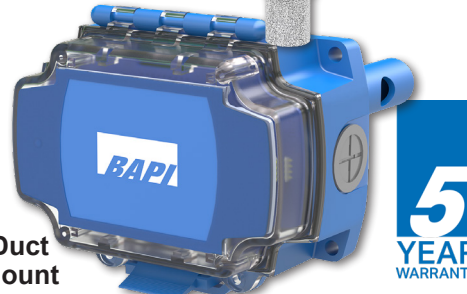
## Features & Options

- Several options for Temperature, Humidity, Carbon Monoxide (CO) and Nitrogen Dioxide (NO<sub>2</sub>)
- Field configurable BACnet MS/TP and MODBUS RTU output
- CO measurement range of 0 to 500 ppm
- NO<sub>2</sub> measurement range of 0 to 20 ppm
- CO and NO<sub>2</sub> sensing elements last approximately 7 years and are automatically self-tested daily
- Electronic copies of CO and NO<sub>2</sub> certificates of calibration available upon request at no extra charge
- Rough service wall/beam mount or duct mount – perfect for parking structures, equipment rooms or warehouses.

Rough Service



Duct Mount



Rough Service with Temp and %RH

5 YEAR WARRANTY

## Specifications

**Power:** 15 to 40VDC, 35mA max | 18 to 24VAC, 2.7VA max

**Field Wiring Terminal Blocks:** 18 to 24 AWG

**Environmental Operation Range:**

-4 to 104°F (-20 to 40°C) | 15 to 95%RH Non-condensing

**Enclosure Material:** UV-resistant Polycarbonate, UL94 V-0

**CO and NO<sub>2</sub> Sensor Element Life:** 7 years typical

**Agency:** RoHS

**CO Sensor:**

Type: Electrochemical

Range: 0 to 500 ppm

Accuracy: ±6 ppm from 0 to 200 ppm | ±25 ppm from 200 to 500 ppm

**NO<sub>2</sub> Sensor:**

Type: Electrochemical

Range: 0 to 20 ppm

Accuracy: ±0.5 ppm from 0 to 10 ppm

**Temperature Sensor:**

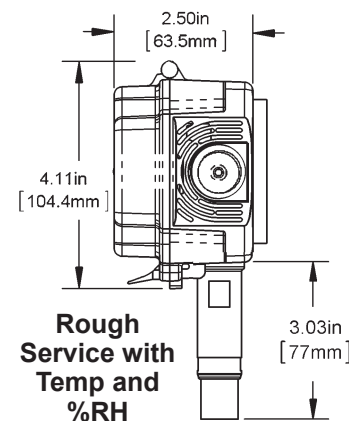
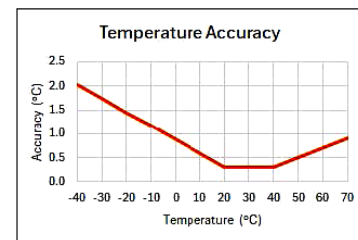
Range: -40 to 158°F (-40 to 70°C)

Accuracy: ±0.54°F (±0.3°C) from 68 to 104°F (20 to 40°C) [see graph]

**Humidity Sensor:**

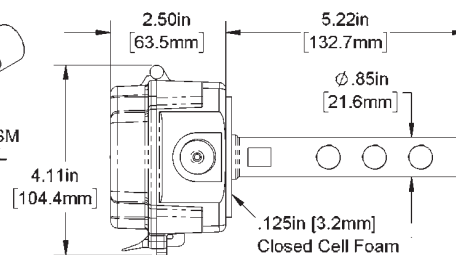
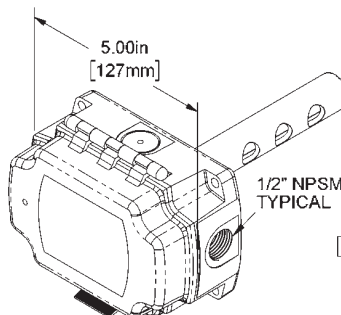
Range: 0 to 100%RH

Accuracy: ±2%RH from 20 to 80% @ 25°C



Rough Service with Temp and %RH

**Duct Mount**  
(Dimensions are the same for the rough service unit without the aspiration tube)





Submittal sheets without List Prices are available on our website at [www.bapivac.com](http://www.bapivac.com)

### Ordering Information

<b>Part #</b>	<b>Description</b>	
<b>BA/D-CO-D-BB</b> .....	CO Duct Sensor.....	\$419
<b>BA/D-CO-V-BB</b> .....	CO Rough Service Sensor.....	\$489
<b>BA/D-TH-CO-V-BB</b> .....	CO Rough Service Sensor with Temp and %RH .....	\$583
<b>BA/D-NO2-D-BB</b> .....	NO <sub>2</sub> Duct Sensor.....	\$505
<b>BA/D-NO2-V-BB</b> .....	NO <sub>2</sub> Rough Service Sensor .....	\$575
<b>BA/D-TH-NO2-V-BB</b> .....	NO <sub>2</sub> Rough Service NO <sub>2</sub> Sensor with Temp and %RH .....	\$670
<b>BA/D-CO-NO2-D-BB</b> .....	CO & NO <sub>2</sub> Duct Sensor.....	\$720
<b>BA/D-CO-NO2-V-BB</b> .....	CO & NO <sub>2</sub> Rough Service Sensor.....	\$790
<b>BA/D-TH-CO-NO2-V-BB</b> ...	CO & NO <sub>2</sub> Rough Service Sensor with Temp and %RH .....	\$885

Note: CO and/or NO<sub>2</sub> sensors must be installed and powered within 4 months of purchase to prevent loss of accuracy.

