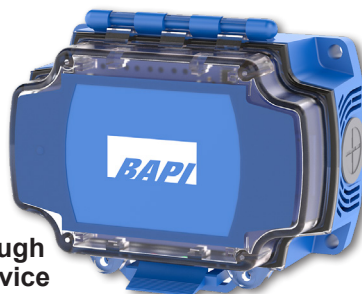




Features & Options

- Several options for Temperature, Humidity, Carbon Monoxide (CO) and Nitrogen Dioxide (NO₂)
- Field configurable BACnet MS/TP and MODBUS RTU output
- CO measurement range of 0 to 500 ppm
- NO₂ measurement range of 0 to 20 ppm
- CO and NO₂ sensing elements last approximately 7 years and are automatically self-tested daily
- Electronic copies of CO and NO₂ certificates of calibration available upon request at no extra charge
- Rough service wall/beam mount or duct mount – perfect for parking structures, equipment rooms or warehouses.

Rough Service



Duct Mount



Rough Service with Temp and %RH

5 YEAR WARRANTY

Specifications

Power: 15 to 40VDC, 35mA max | 18 to 24VAC, 2.7VA max

Field Wiring Terminal Blocks: 18 to 24 AWG

Environmental Operation Range:

-4 to 104°F (-20 to 40°C) | 15 to 95%RH Non-condensing

Enclosure Material: UV-resistant Polycarbonate, UL94 V-0

CO and NO₂ Sensor Element Life: 7 years typical

Agency: RoHS

CO Sensor:

Type: Electrochemical

Range: 0 to 500 ppm

Accuracy: ±6 ppm from 0 to 200 ppm | ±25 ppm from 200 to 500 ppm

NO₂ Sensor:

Type: Electrochemical

Range: 0 to 20 ppm

Accuracy: ±0.5 ppm from 0 to 10 ppm

Temperature Sensor:

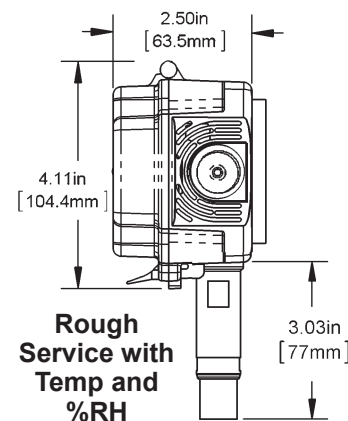
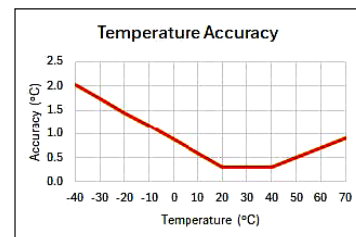
Range: -40 to 158°F (-40 to 70°C)

Accuracy: ±0.54°F (±0.3°C) from 68 to 104°F (20 to 40°C) [see graph]

Humidity Sensor:

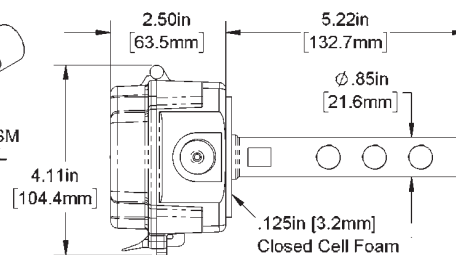
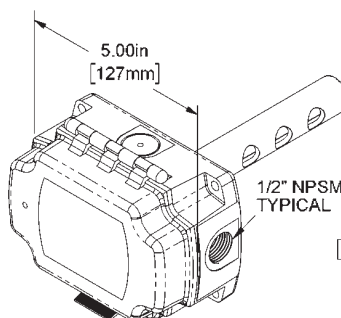
Range: 0 to 100%RH

Accuracy: ±2%RH from 20 to 80% @ 25°C



Rough Service with Temp and %RH

Duct Mount
(Dimensions are the same for the rough service unit without the aspiration tube)





Ordering Information

Part #	Description
BA/D-CO-D-BB	CO Duct Sensor
BA/D-CO-V-BB	CO Rough Service Sensor
BA/D-TH-CO-V-BB	CO Rough Service Sensor with Temp and %RH
BA/D-NO2-D-BB	NO ₂ Duct Sensor
BA/D-NO2-V-BB	NO ₂ Rough Service Sensor
BA/D-TH-NO2-V-BB	NO ₂ Rough Service NO ₂ Sensor with Temp and %RH
BA/D-CO-NO2-D-BB	CO & NO ₂ Duct Sensor
BA/D-CO-NO2-V-BB	CO & NO ₂ Rough Service Sensor
BA/D-TH-CO-NO2-V-BB ...	CO & NO ₂ Rough Service Sensor with Temp and %RH

Note: CO and/or NO₂ sensors must be installed and powered within 4 months of purchase to prevent loss of accuracy.

