



Rev. 11/09/20

MXV - Dry Switch Monitor, 5 Input

H11

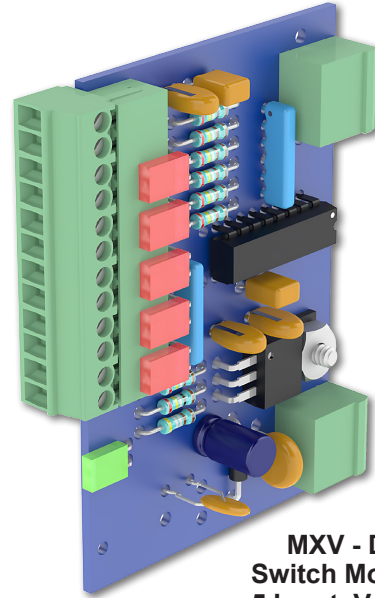
ETA Line

Overview

The MXV monitors five dry switch closure devices and provides one 0 to 10V analog output to the controller. Each switch closure adds a precise voltage to the output so a simple subtraction algorithm lets the controller know which switches are closed at any time.

The MXV plugs into either the BP2, BP4, BP4-V or BP8 backplane and receives its power from the backplane. Each switch terminates on an independent plug on the front of the module and an LED associated with each input indicates when the switch is closed.

The MXV can be combined with other BAPI ETA modules, such as the DS8 Discreet Summary Module, to monitor additional switches.

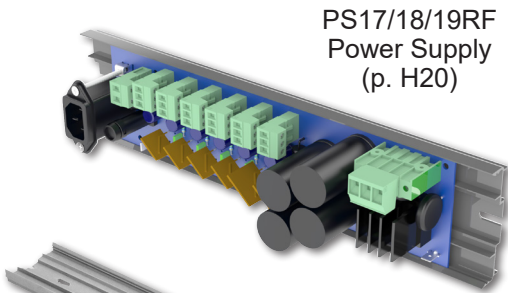


MXV - Dry Switch Monitor, 5 Input, Voltage Output

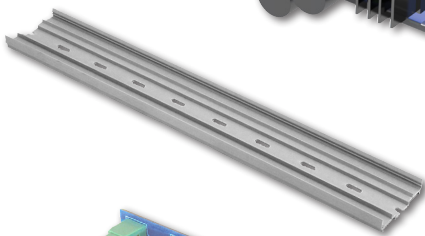
Part Number **Description**

BA/MXV Dry Switch Monitor, 5 Input, Voltage Output

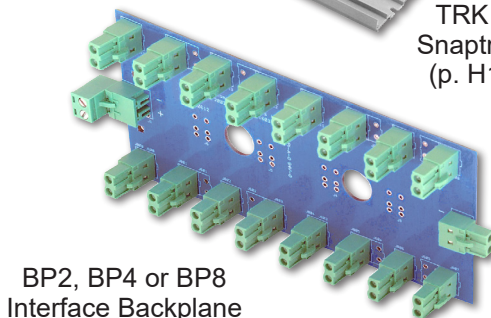
Associated Products



PS17/18/19RF Power Supply
(p. H20)

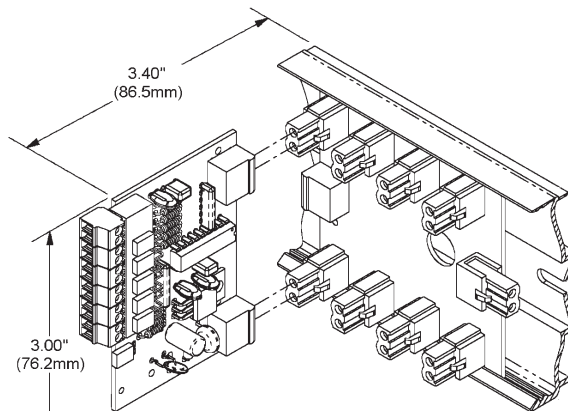


TRK18 Snaptrack
(p. H18)



BP2, BP4 or BP8 Interface Backplane
(p. H16)

Specifications



MXV plugged into a BP4 Backplane

- Power Voltage:** 24 to 34 VDC, 20 to 24VAC
- Power Current:** 35mA max (1.2VA max)
- Input Sensing Voltage:** 15VDC
- Input Sensing Current:** 2mA
- Output Voltage:** 0 to 10 VDC
- Output Current:** 5mA max sourcing, 10KΩ resistance pull down sinking

