

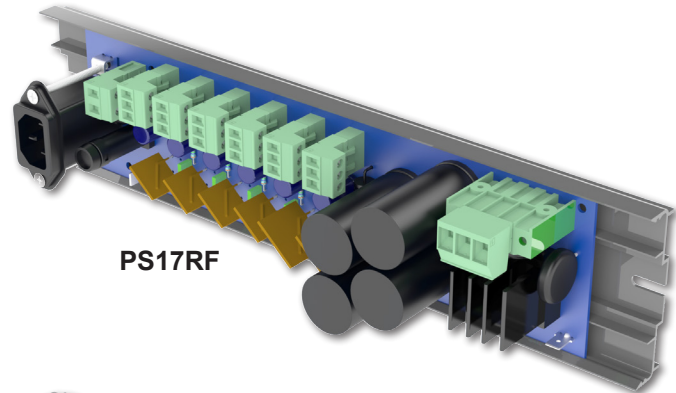


Overview

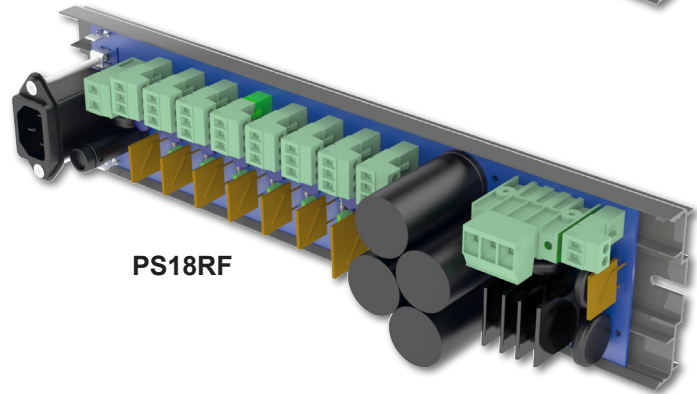
The PS17RF, PS18RF and PS19RF Power Supplies provide multiple 33 VDC* outputs with over-current protection to operate any of BAPI's ETA modules except the RS-485 communication modules. All power supplies are furnished with standard 2.75" snaptrack and include a green LED to indicate when power is supplied to the unit.

The power supplies use a customer-supplied 24 VAC* transformer with a rating of 200 to 600 VA depending upon current consumption (See transformer info below). Pluggable screw terminals allow easy termination of the transformer.

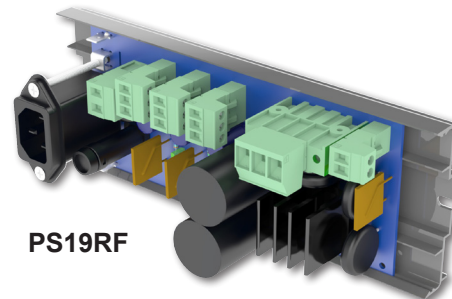
All three units provide a transient line filter for the line voltage input to the transformer. Plug a standard computer power cord into a duplex outlet and then into the line filter to power the units.



PS17RF



PS18RF



PS19RF

All units shown in the supplied 2.75" snaptrack

Specifications

Input Power

120 to 240 VAC; Amps depend on transformer selected. Standard IEC 320 Line Filter

Output Voltage

Nominal 33 VDC* (using 24 VAC transformer)

PS17RF Outputs (Nominally-Rated)

6 Outputs: Four at 2.5 Amps, two at 3.75 Amps

PS18RF Outputs (Nominally-Rated)

8 Outputs: Six at 2.5 Amps, two at 3.75 Amps

PS19RF Outputs (Nominally-Rated)

3 Outputs: Two at 2.5 Amps, one at 3.75 Amps

CUSTOMER SUPPLIED TRANSFORMER SPECS

<u>Unit Model</u>	<u>Transformer Power</u>
PS19RF	Nominal 200 VA
PS17RF	Nominal 400 VA
PS18RF	Nominal 600 VA

*The VDC output voltage from the unit is dependent on the VAC input voltage. Generally the output will equal 1.4 times the input.

9 VAC input = 12 VDC output

18 VAC input = 24 VDC output

20 VAC input = 28 VDC output

24 VAC input = 33 VDC output





Ordering Information

<u>Part Number</u>	<u>Description</u>
BA/PS17RF	6 Output Unit with Self-Resetting Fuses
BA/PS18RF	8 Output Unit with Self-Resetting Fuses
BA/PS19RF	3 Output Unit with Self-Resetting Fuses
BA/PWR-CORD-18"	18" Power Cord for PS17 Power Supply
BA/PWR-CORD-36"	36" Power Cord for PS17 Power Supply

See end of Section G for list pricing.

Dimensions

